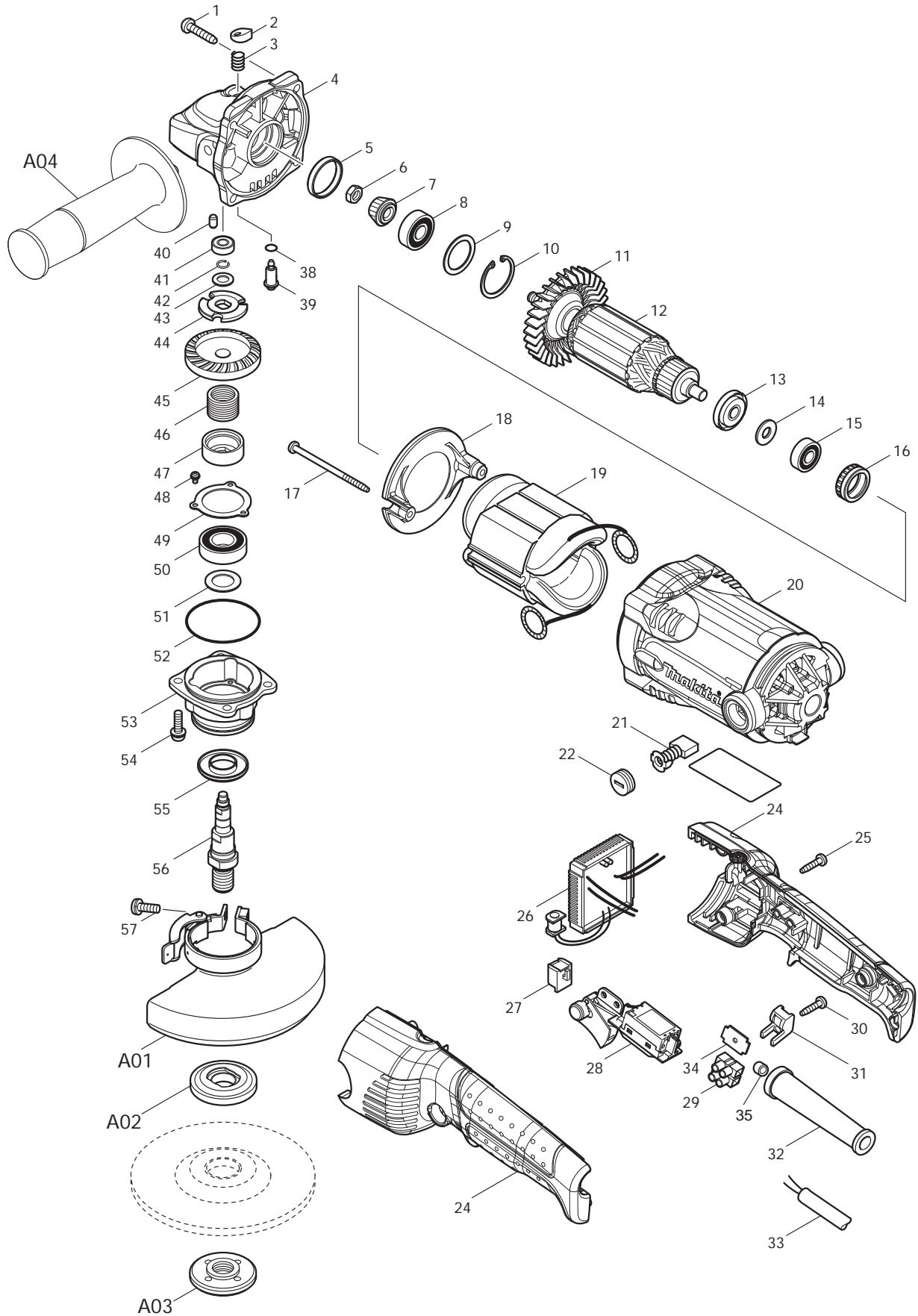




08 - 2010
GA5020C
5" GRINDER



Item No	Type	Ref	Part No	Description	Qty	Unit
1			266041-8	TAPPING SCREW 5X25	4	PC.
2			417771-6	PIN CAP	1	PC.
3			234057-1	COMPRESSION SPRING 8	1	PC.
4			318158-4	GEAR HOUSING	1	PC.
5			424051-3	RUBBER RING 26	1	PC.
6			264010-3	HEX.NUT M7	1	PC.
7			227520-1	SPIRAL BEVEL GEAR 11	1	PC.
8	2		210059-1	BALL BEARING 6000DDW (Nylon)	1	PC.
9			267352-4	FLAT WASHER 22	1	PC.
10			962107-9	RETAINING RING (INT) R-30	1	PC.
11			240094-5	FAN 70	1	PC.
12	2		513796-9	* ARMATURE ASS'Y	1	PC.
		INC.		* Item No. 11, 13-15	1	PC.
13			681660-3	INSULATION WASHER	1	PC.
14			267281-1	FLAT WASHER 8	1	PC.
15			210005-4	BALL BEARING 608DDW	1	PC.
16			421720-7	RUBBER RING 22	1	PC.
17			266325-4	TAPPING SCREW 4X70	2	PC.
18			419961-7	BAFFLE PLATE	1	PC.
19	1		525786-0	FIELD ASSEMBLY 115V (TYPE 1)	1	PC.
		INC.	654020-2	RING TERMINAL	2	PC.
		INC.	654501-6	CONNECTOR P-1.25	2	PC.
	2		520069-3	FIELD ASSEMBLY 115V (TYPE 2)	1	PC.
		INC.	654020-2	RING TERMINAL	2	PC.
		INC.	654555-3	CONNECTOR 34130	2	PC.
20			158409-1	MOTOR HOUSING COMPLETE	1	PC.
		INC.	643751-8	BRUSH HOLDER	2	PC.
		INC.	810341-4	CAUTION LABEL	1	PC.
21	1		194547-5	CARBON BRUSH CB-253 2PC/SET (W/O ORIGIN)	1	SET
	2		194994-0	CARBON BRUSH CB-253 2PC/SET (W/ ORIGIN)	1	SET
22			643750-0	BRUSH HOLDER CAP	2	PC.
24			188450-0	HANDLE SET	1	SET
25			266326-2	TAPPING SCREW 4X18	4	PC.
26			631800-3	CONTROLLER	1	PC.
27			418518-1	SLEEVE	1	PC.
28			651060-1	SWITCH TG933TRA-1	1	PC.
29			654542-2	TERMINAL BLOCK 2P	1	PC.
30			266326-2	TAPPING SCREW 4X18	1	PC.
31			687260-7	STRAIN RELIEF	1	PC.
32			682505-8	CORD GUARD 10-90	1	PC.
33	2		664285-8	CORD WITH PLUG 2P-16-2.5M SJ	1	PC.
34			424052-1	SPONGE SHEET	1	PC.
35			683240-1	TUBE 10-10.8-15	1	PC.
38			213977-2	O RING 7	1	PC.
39			256505-0	SHOULDER PIN 5	1	PC.
40			263002-9	RUBBER PIN 4	1	PC.
41			210006-2	BALL BEARING 696ZZ	1	PC.
42			233926-3	RING SPRING 7	1	PC.
43			253835-0	FLAT WASHER 8	1	PC.
44			267811-8	LOCK WASHER	1	PC.
45			227522-7	SPIRAL BEVEL GEAR 35B	1	PC.
46			233957-2	LOCK SPRING 16	1	PC.
47			324833-2	LOCK SLEEVE	1	PC.
48			911003-8	PAN HEAD SCREW M3X6	3	PC.

Item No	Type	Ref	Part No	Description	Qty	Unit
49			285728-3	BEARING RETAINER 39	1	PC.
50	2		211236-8	BALL BEARING 6002DDW	1	PC.
51			253853-8	FLAT WASHER 15	1	PC.
52			213624-5	O RING 48	1	PC.
53	1		318160-7	BEARING BOX	1	PC.
	2		318299-6	BEARING BOX	1	PC.
54			265131-4	PAN HEAD SCREW M5X18	4	PC.
55			345464-4	LABYRINTH RING	1	PC.
56			324790-4	SPINDLE A	1	PC.
57			251391-4	PAN HEAD SCREW M5X16(F/135108-2)	1	PC.
61	2		253828-7	* FLAT WASHER 10 (ADDED)	1	PC.
100	1		654037-5	INSULATED EYE TERMINAL FT1.25-M3 (TYPE 1) (F/Wiring)	1	PC.
	2		654117-7	INSULATING TERMINAL (TYPE 2) (F/Wiring)	1	PC.
101	1		654077-3	INSULATED TERMINAL FK2-M3D-5.5 (TYPE 1) (F/Wiring)	1	PC.
	2		654198-1	INSULATED TERMINAL (TYPE 2) (F/Wiring)	1	PC.
102	1		654509-0	CONNECTOR 2-SD (TYPE 1) (F/Wiring)	1	PC.
	2		654562-6	CLOSED END SPLICE (INSULATED CONNECTOR 2-SD 35115) (BTW:Field and Controller)	1	PC.

ACCESSORIES

- See Catalogue or visit www.makita.ca for more accessories -

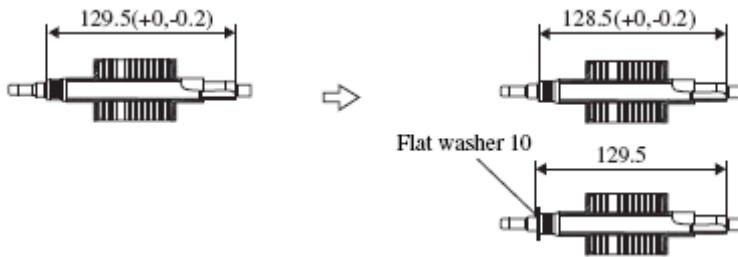
A01	2		135108-2	TOOLLESS WHEEL COVER ASSY F/5"	1	PC.
		INC.		Item No. 57	1	PC.
	Opt.		122641-3	WHEEL COVER 5", F/CUT OFF	1	PC.
A02			224399-1	INNER FLANGE 45 (FOR D.C.W)	1	PC.
			224029-4	INNER FLANGE 40 (FOR C.O.W)	1	PC.
A03			224568-4	LOCK NUT 5/8-45 (FOR D.C.W)	1	PC.
			224509-0	LOCK NUT 5/8-40 (FOR C.O.W)	1	PC.
			193048-0	LOCK NUT 5/8-48 (FOR SANDING)	1	PC.
A04	1		153504-2	GRIP 36 COMPLETE (TYPE 1)	1	PC.
	2		162258-0	VIBRATION PROOF GRIP F/4-1/2" - 6", BULK	1	PC.
	3		194514-0	VIBRATION PROOF GRIP F/4-1/2" - 6", PKG	1	PC.
A05			782424-9	LOCK NUT WRENCH 28	1	PC.
A06			741407-B	5" D.C.W A24P	1	PC.
			A-80656	5" D.C.W GRIT 36	1	PC.
			D-20797	5" D.C.W A24R	1	PC.
A07			D-20909	5" C.O.W. A30S	1	PC.
			D-18574	5" C.O.W A30	1	PC.
A09			743015-1	RUBBER PAD 115 F/5"	1	PC.
A10			194482-7	DUST COVER ATTACHMENT	1	PC.
A11			194483-5	LOOP HANDLE SET	1	SET
		INC.	416256-9	LOOP HANDLE	1	PC.
		INC.	450189-8	SPACER A	1	PC.
		INC.	450190-3	SPACER B	1	PC.
		INC.	783204-6	HEX WRENCH 6	1	PC.
		INC.	922453-2	HEX. SOCKET SCREW M8X30	2	PC.
A12			195236-5	DUST COVER SET (115mm & 125mm)	1	PC.
		INC.	165596-9	SET PLATE	1	PC.
		INC.	252096-9	HEX. CAP NUT M4	1	PC.
		INC.	451765-1	SUPPORT COVER	1	PC.
		INC.	451766-9	PLATE	1	PC.
		INC.	451767-7	COVER	1	PC.
		INC.	743332-9	BRUSH A	1	PC.
		INC.	743333-7	BRUSH B	1	PC.

SERVICE CHANGES

1. Changes on Armature Assy

Item No.	Description	Type 1	Type 2
12	Armature Assy	513726-0	513796-9
61	Flat Washer	---	253828-7

Above parts are completely interchangeable as a set.



2. Changes on Wiring

See Technical Information # Z12397 for Wiring Change